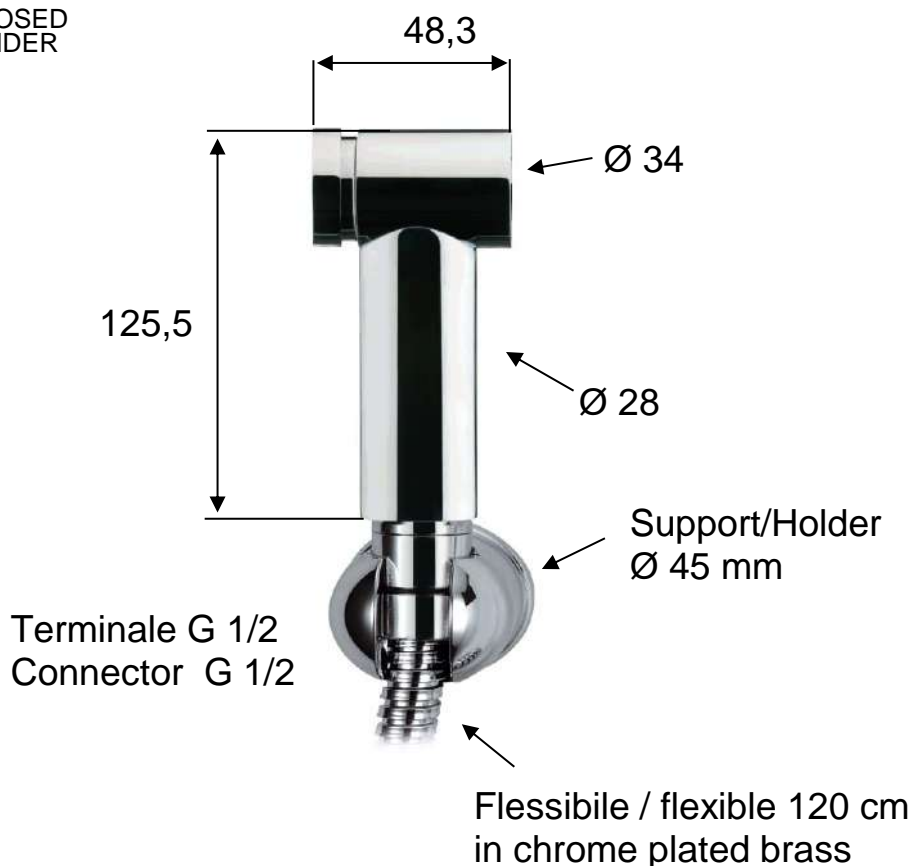


NON LASCIARE LA DOCGETTA  
CHIUSA IN PRESSIONE

DON'T LET THE CLOSED  
HANDSHOWER UNDER  
PRESSURE



P max = 5 bar

**MATERIALI / MATERIALS**

OTTONE CROMATO / CHROME PLATED BRASS

**CROMATURA / CHROME PLATING**

UNI EN 248

**Pentagono rubinetterie srl**