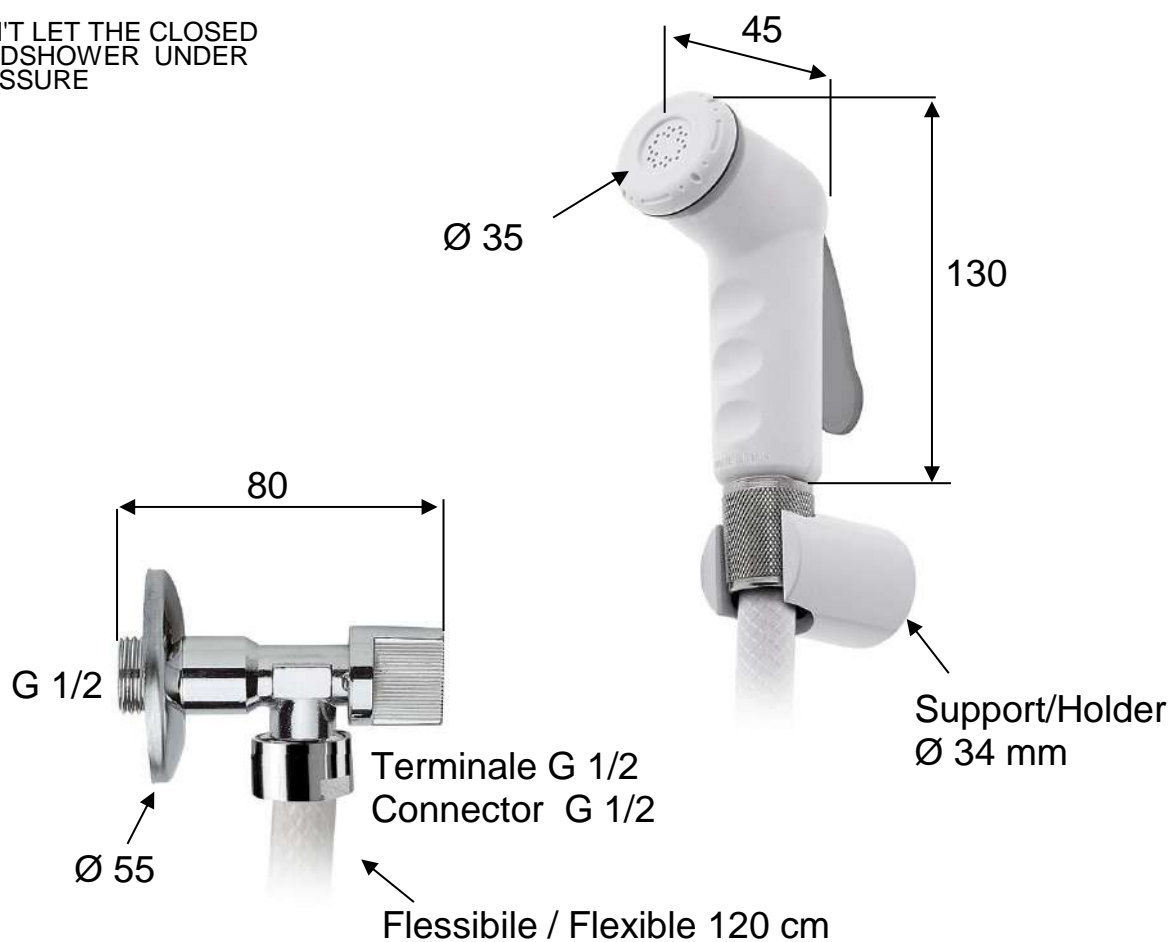


NON LASCIARE LA DOCCETTA
CHIUSA IN PRESSIONE

DON'T LET THE CLOSED
HANDSHOWER UNDER
PRESSURE



P max = 5 bar

MATERIALI / MATERIALS

OTTONE CROMATO / CHROME PLATED BRASS

CROMATURA / CHROME PLATING

UNI EN 248

Pentagono rubinetterie srl