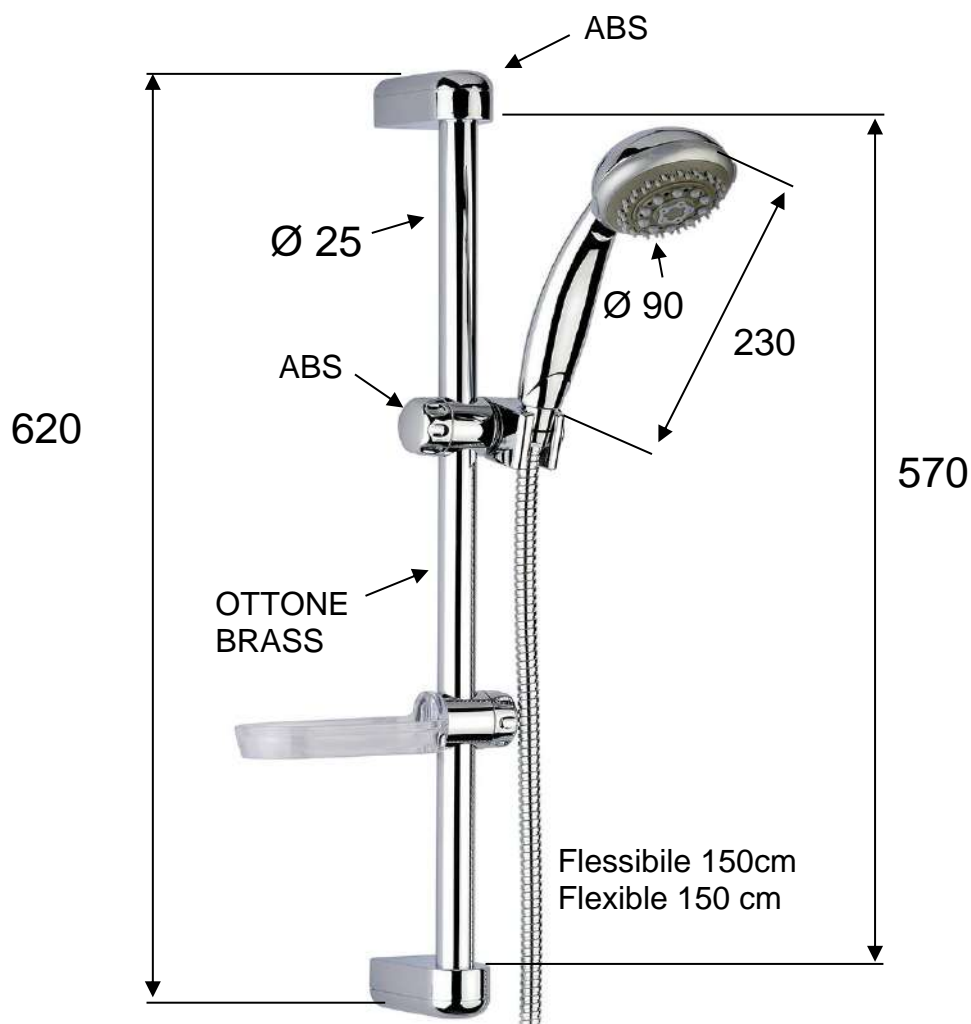


Saliscendi|Sliding Rails Art. AST1002496CPS



4 getti/4 jets

**MATERIALI / MATERIALS**

OTTONE CROMATO / CHROME PLATED BRASS

**CROMATURA / CHROME PLATING**

UNI EN 248

**Pentagono rubinetterie srl**