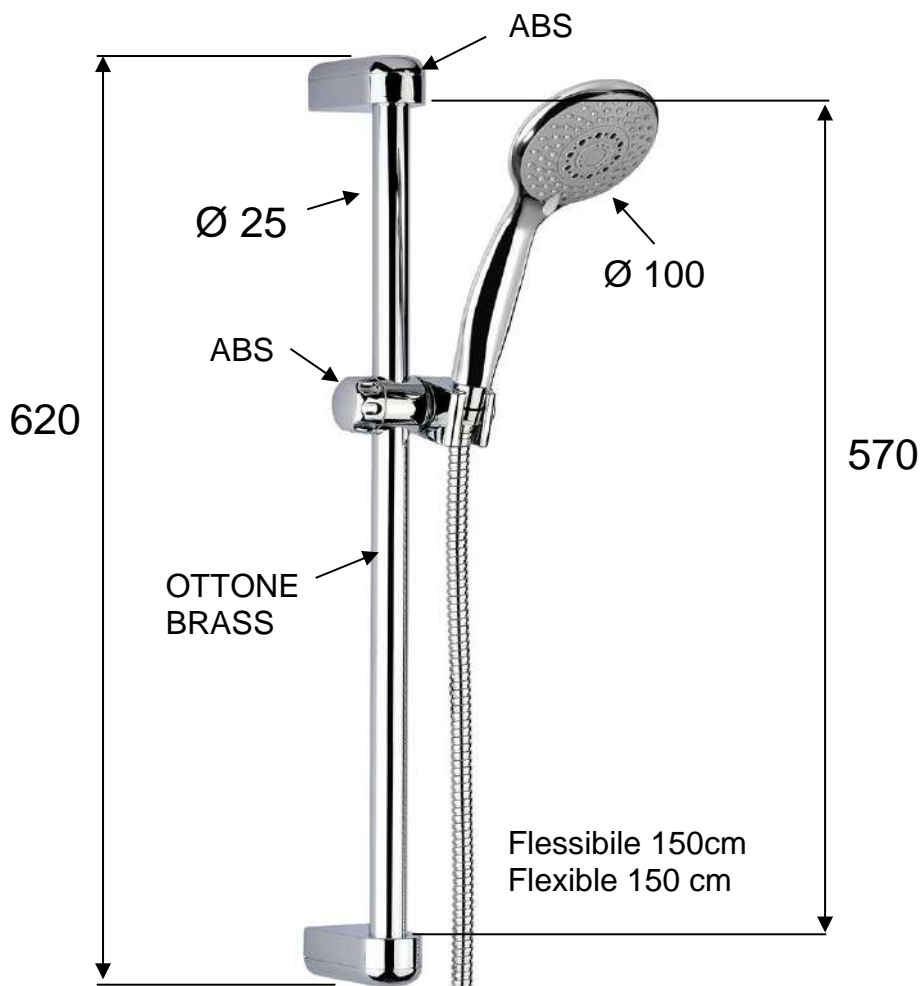


Saliscendi|Sliding Rails Art. AST1004077



3 getti/3 jets

MATERIALI / MATERIALS

OTTONE CROMATO / CHROME PLATED BRASS

CROMATURA / CHROME PLATING

UNI EN 248

Pentagono rubinetterie srl