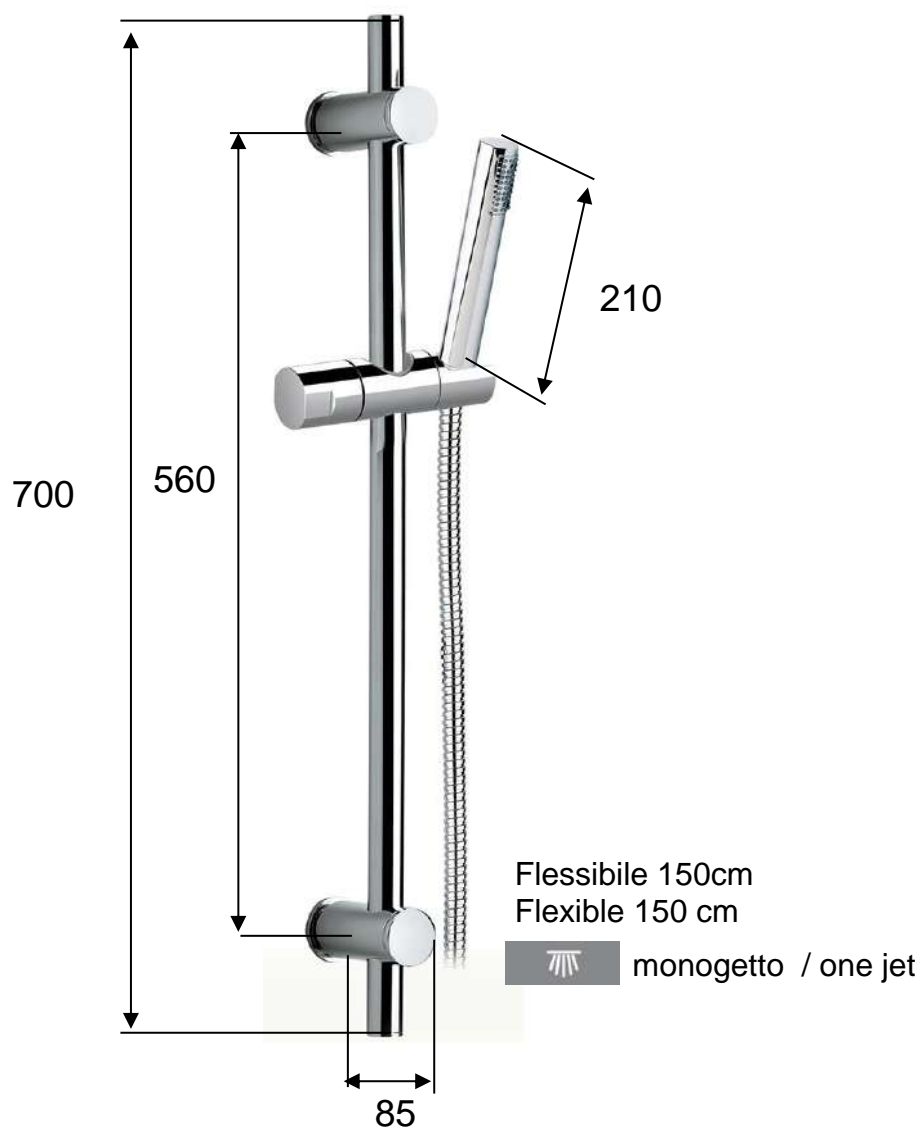


Saliscendi|Sliding Rails Art. AST7004040



MATERIALI / MATERIALS

OTTONE CROMATO / CHROME PLATED BRASS

CROMATURA / CHROME PLATING

UNI EN 248

Pentagono rubinetterie srl

Via Luigi Galvani 8 25064 Gussago BS - Italy - info@pentagonosrl.it - www.pentagonosrl.it