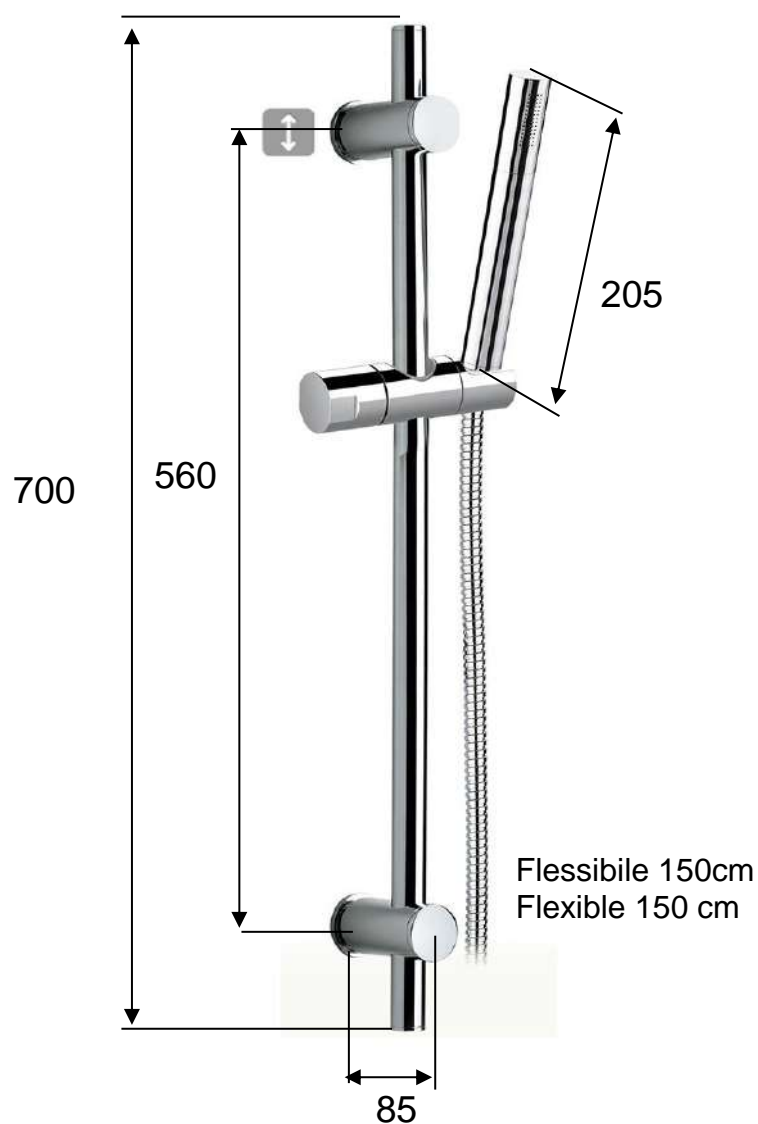


Saliscendi|Sliding Rails Art. AST70040400T



**MATERIALI / MATERIALS**

OTTONE CROMATO / CHROME PLATED BRASS

**CROMATURA / CHROME PLATING**

UNI EN 248

**Pentagono rubinetterie srl**